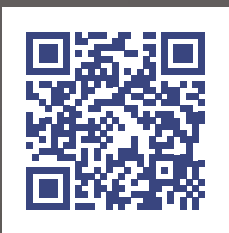
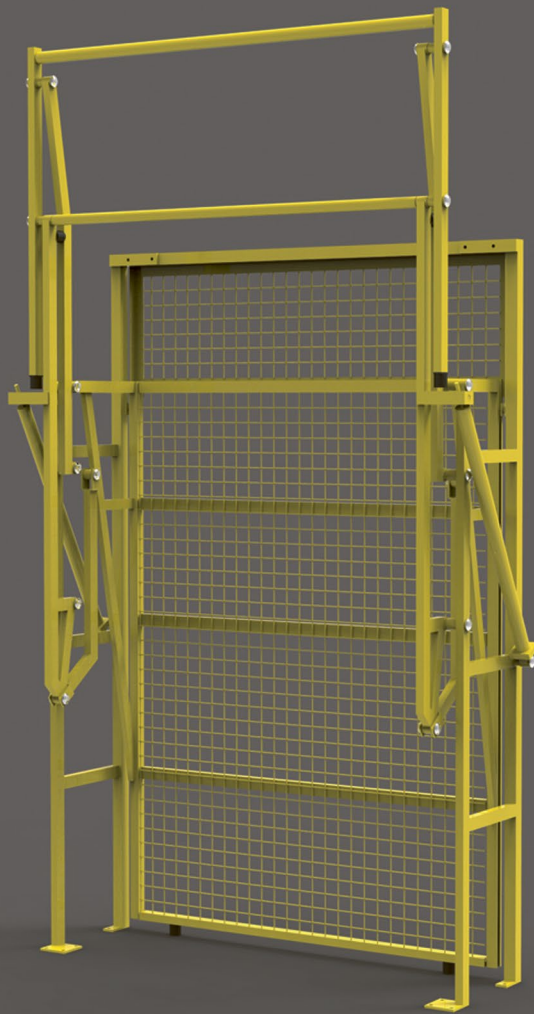


SAFETY GATE TYPE GB4

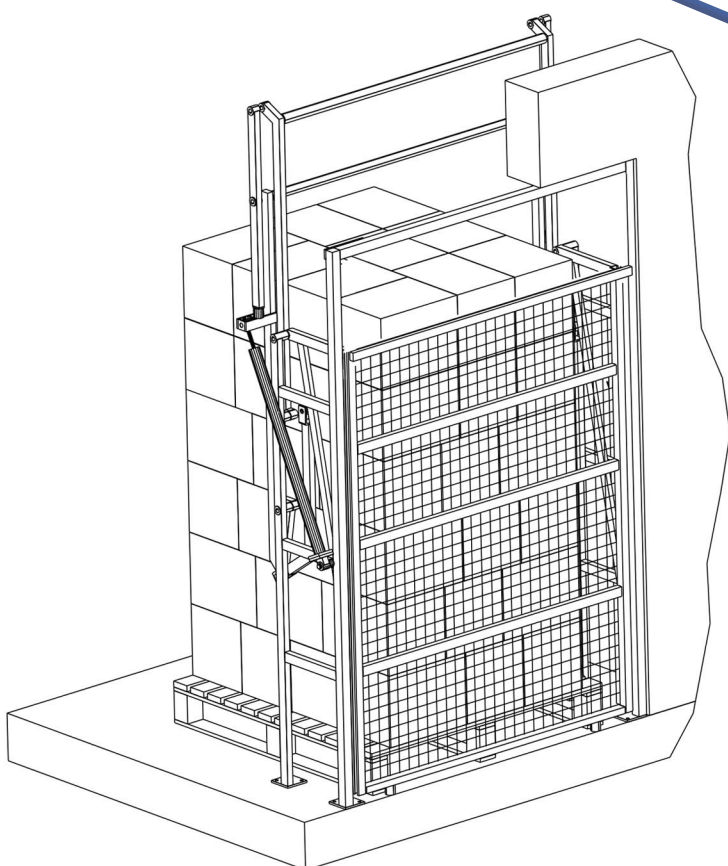
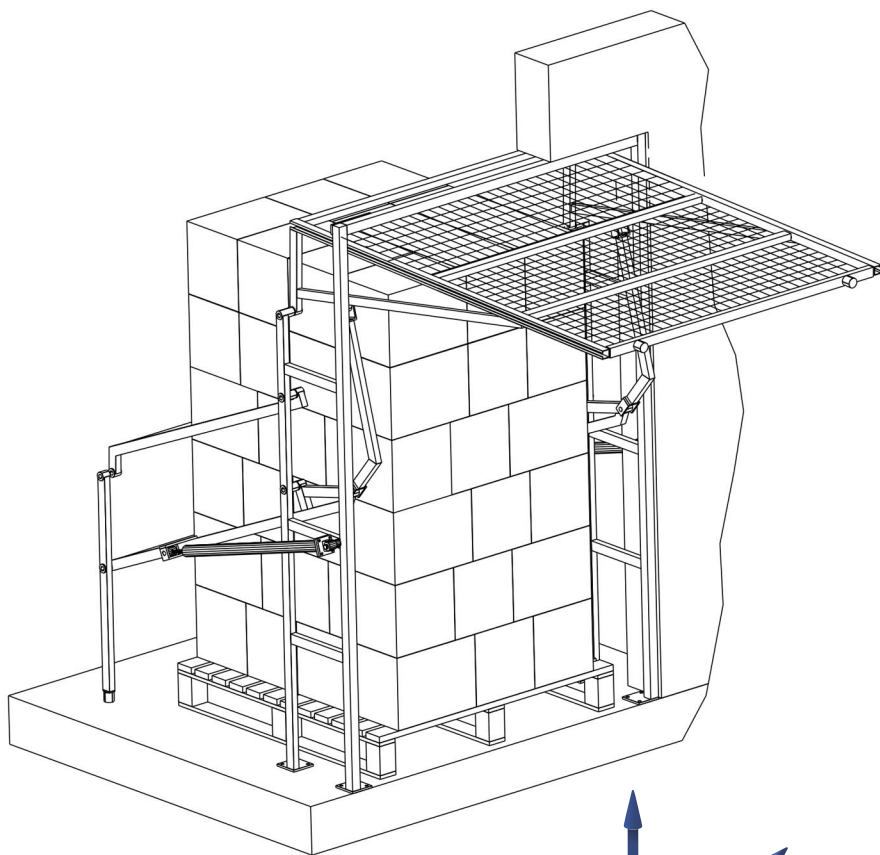


TRIAX develops a large range of safety gates completely conform with safety standards and the ergonomics of different workstations. The objective is to guarantee safeguard and perimeter protection for handling loads on different levels and heights.



TECHNICAL SPECIFICATION

SAFETY GATE TYPE GB4



- Useful depth of loads: according to requirements.
- Useful height of loads: 1650/2000/2350 mm (others on request).
- Useful width of loads: according to requirements.
- Finishing RAL 1021 (others on request: RAL, stainless steel, metallization,...).
- TÜV-certificated.

TRIAX

Z.A. - 67 rue des Vignes
F-45240 MARCILLY EN VILLETTE

☎ +33 (0)2 38 76 12 00

@ triax@trias-securite.com

🌐 www.triax-securite.com