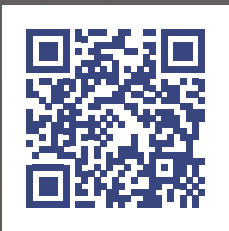


SAFETY GATE

TYPE C

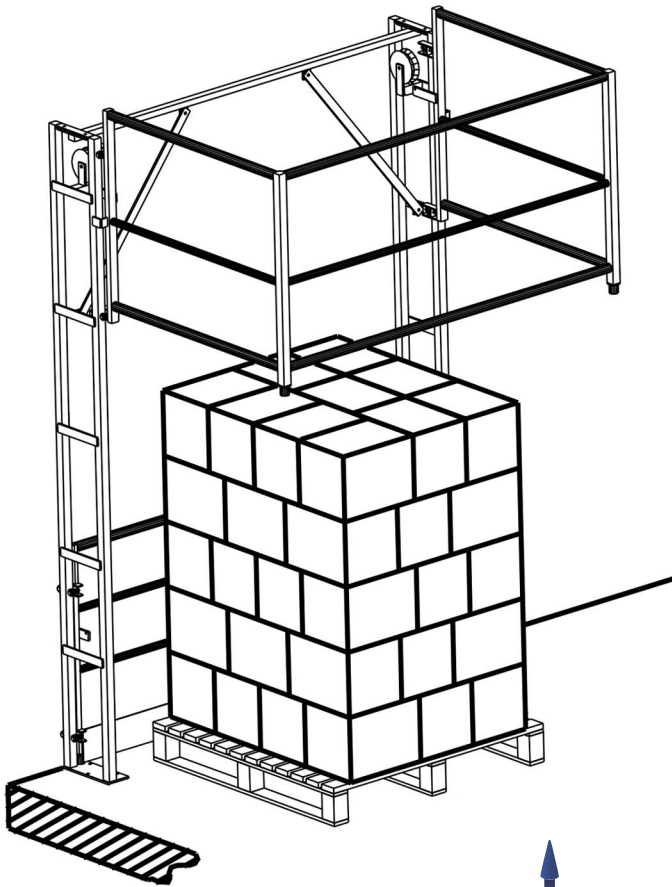


TRIAX develops a large range of safety gates completely conform with safety standards and the ergonomics of different workstations. The objective is to guarantee safeguard and perimeter protection for handling loads on different levels and heights.

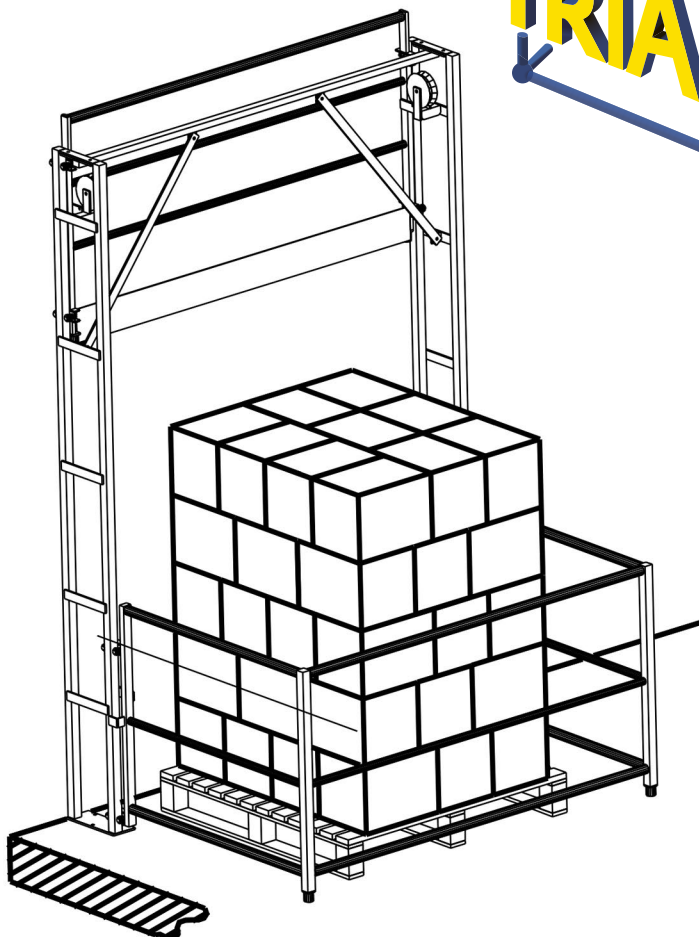


TECHNICAL SPECIFICATION

SAFETY GATE TYPE C



TRIAx



- Useful depth of loads:
1350/1650 mm
(others on request).
- Useful height of loads:
1950 mm (others on request).
- Useful width of loads:
on request.
- Finishing RAL 1021 (others
on request: RAL, stainless
steel, metallization,...).
- TÜV-certified.

TRIAx

Z.A. - 67 rue des Vignes
F-45240 MARCILLY EN VILLETTE

☎ +33 (0)2 38 76 12 00

@ triax@trias-securite.com

🌐 www.triax-securite.com