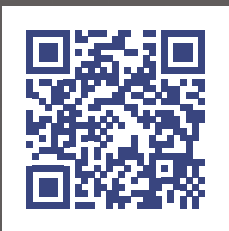
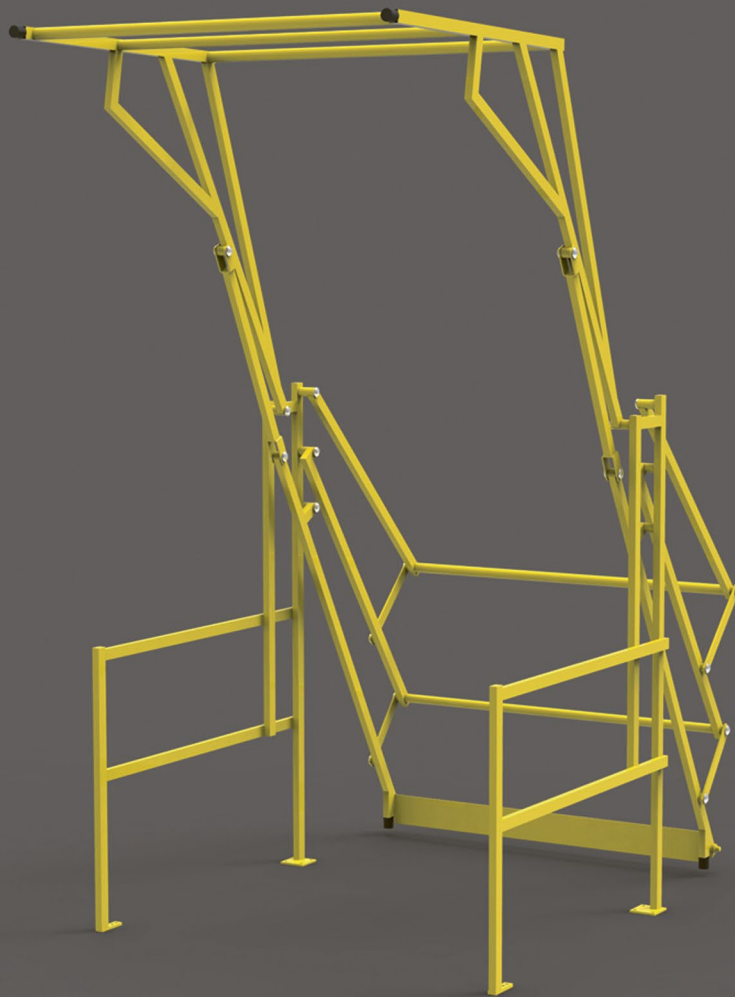


SAFETY GATE TYPE TBO

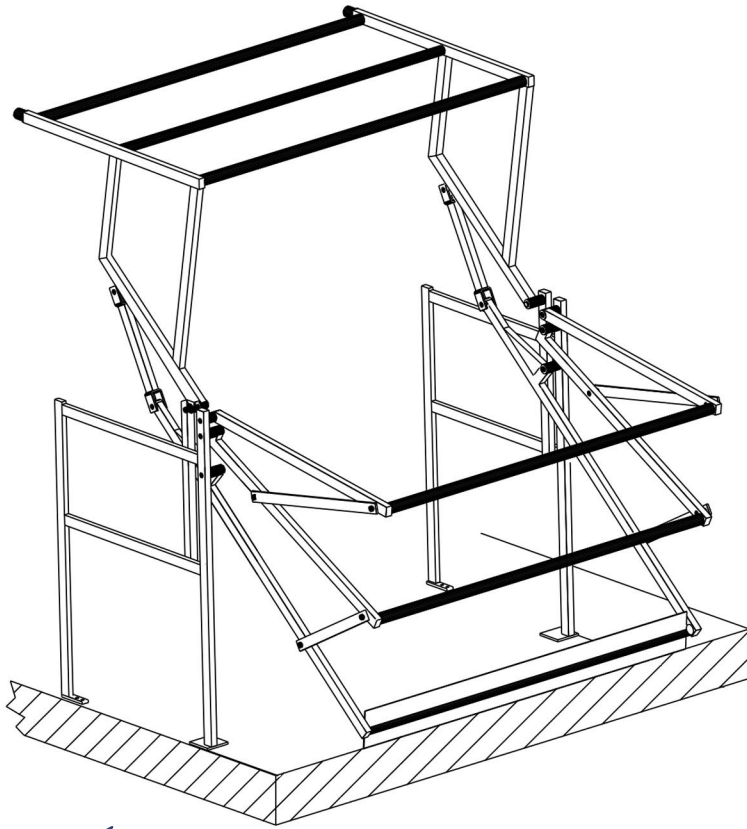


TRIAX develops a large range of safety gates completely conform with safety standards and the ergonomics of different workstations. The objective is to guarantee safeguard and perimeter protection for handling loads on different levels and heights.

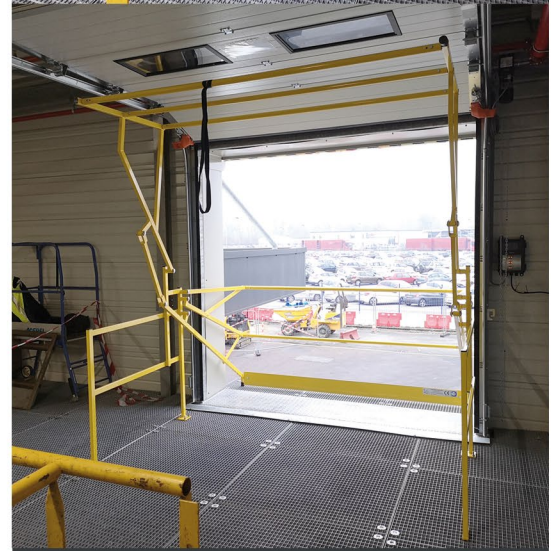
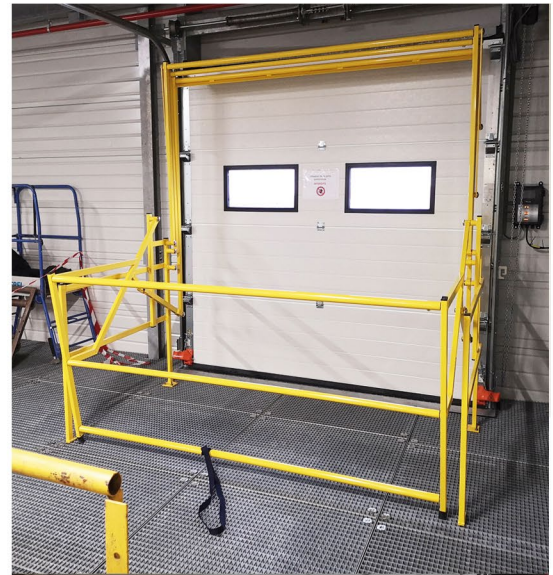
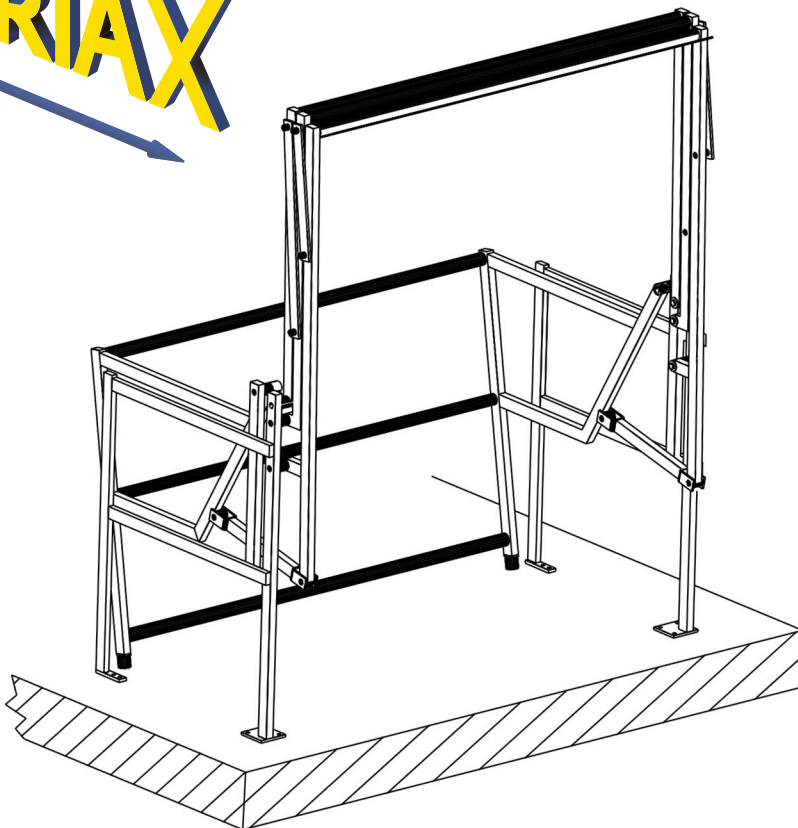


TECHNICAL SPECIFICATION

SAFETY GATE TYPE TBO



TRIAX



- Useful depth of loads:
on request.
- Useful height of loads:
1650/2000/2350 mm
(others on request).
- Useful width of loads:
as required.
- Finishing RAL 1021 (others
on request: RAL, stainless steel,
metallization..).
- TÜV-certificated.

TRIAX

Z.A. - 67 rue des Vignes
F-45240 MARCILLY EN VILLETTE

☎ +33 (0)2 38 76 12 00

@ triax@trias-securite.com

🌐 www.triax-securite.com